

Universal test head manipulator **MP 936**

*plus
flex
basic*

we can *handle* it



**Maximum test head
weight 550 kg**

90° swing

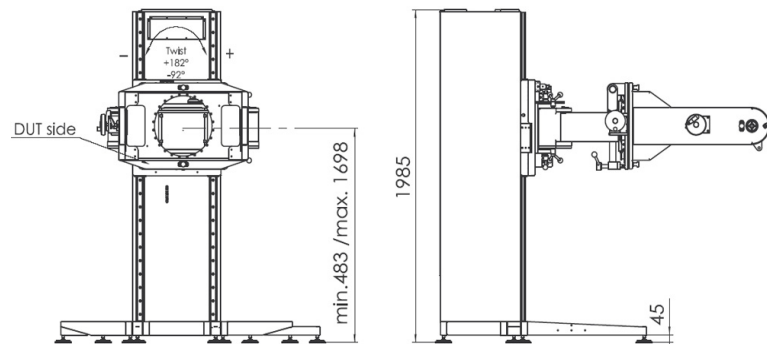
274° twist

Optional motorization

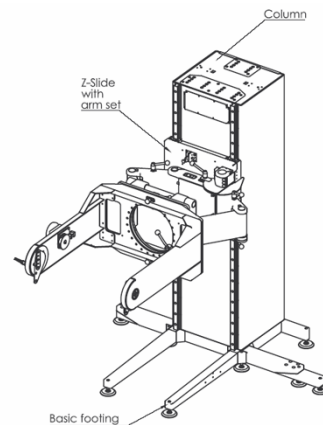
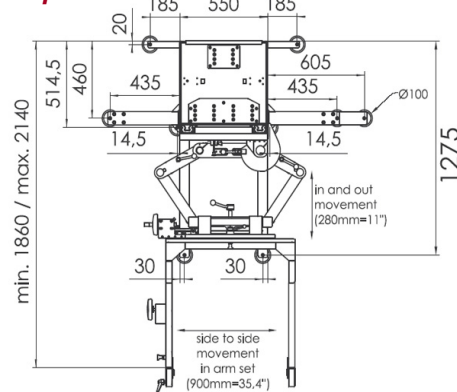
Test head manipulator MP 936 basic

Front view

Side view



Top view



Technical Data:

J 750

Max. test head weight	550 kg	Motorized version (optional):
Footprint	1275 x 1590 mm	Voltage/frequency 110-240 V; 50-60 Hz
Range of motions	5 + 3	Rated current 5.5/3.2 A
Linear motions:		Speed of motion:
Side to Side	900 mm	n/a
In and Out	280 mm	n/a
Vertical travel	1215 mm	0.8/0.1 m/min
Rotary motions:		
Tumble	180°	n/a
Twist	274°	1.8/0.25 °/sec
Swing	90°	n/a
Theta	free floating +/- 20°	n/a
Setup adjustments:		
Arm sag	+/- 5°	n/a
Twist compliance	+/- 2°	n/a

Floor load diagrams and layout proposals on demand.



MICROHANDLING

stands for over 20 years of experience in the field of test handlers and test head manipulators providing German quality worldwide.