



Universal test head manipulator **MP-5**

we can **handle** it



*Ideal for test heads
up to 650 kg
(1433 lbs)*

*Various optional
features*

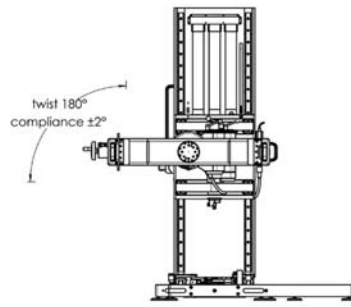
Index Position Lock

*Storage tray for spare
counter weights*

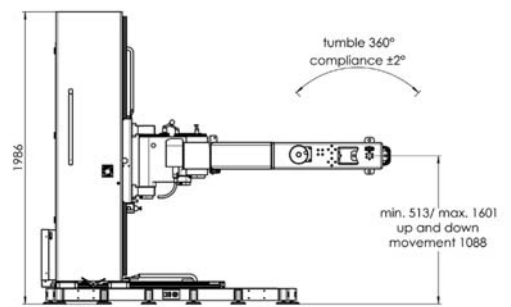
*Optional motorized
motions: In and out,
vertical travel, twist*

Test head manipulator MP-5

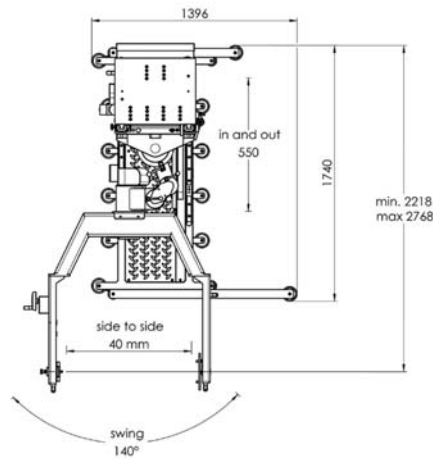
Front view



Side view



Top view



Available test system configurations include:

Agilent 93000
LTX Fusion HFi
Teradyne Catalyst
Teradyne IntegraFLEX

Teradyne J750
Teradyne MicroFLEX
Teradyne UltraFLEX

Technical Data:

Range of motions:

Linear motions:

Side to Side	40 mm (1.57")
In and Out	550 mm (21.65")
Vertical travel	1088 mm (42.83")

Rotary motions:

Tumble	360°
Twist	180°
Swing	140°

Compliance:

Tumble	+/- 2.0°
Twist	+/- 2.0°
Theta	+/- 2.0°

Weight:

Load capacity	650 kg (1433 lbs)
Manipulator empty weight	1220 kg (2690 lbs) max.

Dimensions:

Footprint	1396 x 1740 mm (54.96 x 68.50")
Bring-in height	1995 mm (78.54")

Motorized motions (optional):

Speed of motions:

--	--
1,66 m/min (5.44 ft./min)	--
2,08 m/min (6.82 ft./min)	--

Electrical requirements:

Voltage	115/230 V
Frequency	60/50 Hz
Rated current	1.0 / 0.8 A

Floor load diagrams and layout proposals on demand.



MICROHANDLING

stands for over 20 years of experience in the field of test handlers and test head manipulators providing German quality worldwide.